

# PRO-SOUND CEILING

## Loudspeakers



### ➤ **CCS6**    ➤ **CCS6/T**

#### TECHNICAL SPECIFICATIONS

Rated power, Watts	60
Tappings 100 volt line, Watts	60/30/15/7.5
Transformer Impedance, Ohms, 100V	167/333/667/1.32k
Tappings 70.7 volt line, Watts	30/15/7.5/3.75
Driver impedance, Ohms	16
Effective Frequency Range, Hz(BSEN60268-5)	70-20,000
S.P.L. @ 1m, 1 watt, dB, Test Signal Bandwidth 100Hz-10 kHz	88
S.P.L. @ Full power Octave Bandwidth, dB	104
Acoustic Power (dB-PWL@1 watt) 1k/2k Hz	88/93
Dispersion at 1k/2k Hz, Degrees	180/160
Directivity Axial Q factor, 1k/2k Hz	2.3/6.9
Dimensions, front and depth, mm	263 x 214
Net weight, Kgs	3.5
Colour/Finish	White
Material	Plastic Baffle ABS with UV Inhibitors
Mounting	Rotary Compression Clamp
Cut-out, mm	Ø230

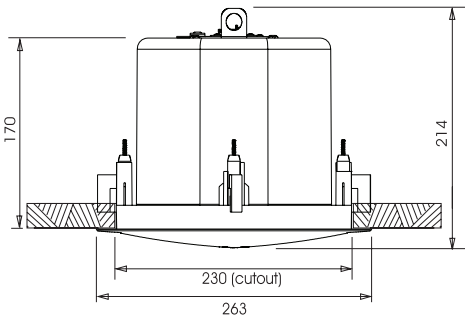
Mounting Baffle available on request

EASE, CATT, ULYSSES and Architectural specifications are supplied on the disc inserted at the back of this folder  
 Manufacturer reserves the right to alter specifications without notice – June 2008

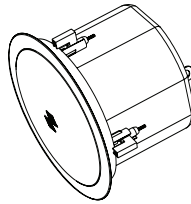
# CCS6 CCS6/T

## PRO-SOUND CEILING LOUDSPEAKERS

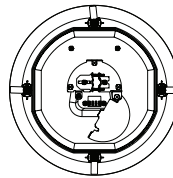
▼ **CCS6/T**  
side view  
unit: mm



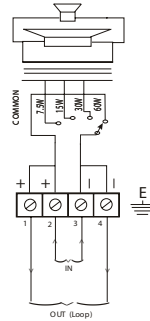
▼ **CCS6/T**  
isogonal view



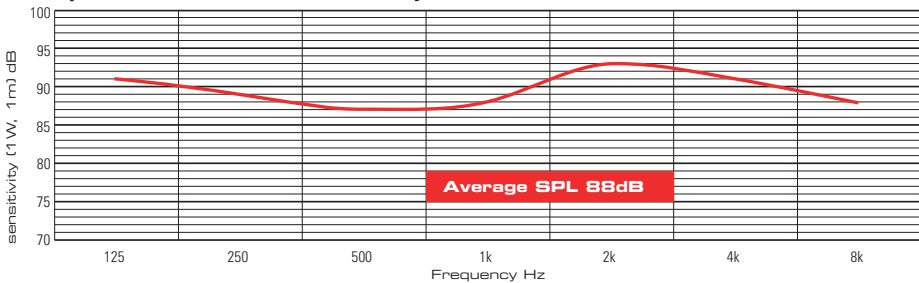
▼ **CCS6/T**  
rear view



▼ circuit diagram  
**CCS6/T**



### speech octave band sensitivity



Effective Frequency Range

● **CCS6/T** 70Hz - 20KHz



**Penton UK Ltd**

Unit 2 Teville Industrials | Dominion Way | Worthing | West Sussex | BN14 8NW

T: +44 (0)1903 215315 | F: +44(0)1903 215415 | E: SALES@PENTONUK.CO.UK

[www.penton.org](http://www.penton.org)