

MOULDED SOUND PROJECTORS



➤ **CAD10/T**
➤ **CAD10/TC**

TECHNICAL SPECIFICATIONS

Rated power, Watts	10
Tappings 100 volt line, Watts	10/5/2.5/1.25
Transformer Impedance, Ohms	1k/2k/4k/8k
Tappings 70.7 volt line, Watts	5/2.5/1.25/0.375
Driver impedance, Ohms	8
Effective frequency range, Hz (BSEN60268-5)	120–18,000
S.P.L. @ 1m, 1 watt, dB, Test Signal Bandwidth 100Hz – 10 kHz	90
S.P.L. @ Full power, Octave Bandwidth dB	100
Acoustic Power (dB-PWL@1 Watt) 1k/2k Hz, dB	87/89
Dispersion at 1k/2k Hz, Degrees	180/120
Directivity Axial Q factor, 1 k/2k Hz	2.5/5.8
Dimensions, front & depth, mm	Ø138 x 204
Net weight, Kgs	1.3
Colour/Finish	White
Material	ABS Plastic with UV inhibitor and Stainless steel hardware
Mounting	Aluminium U bracket

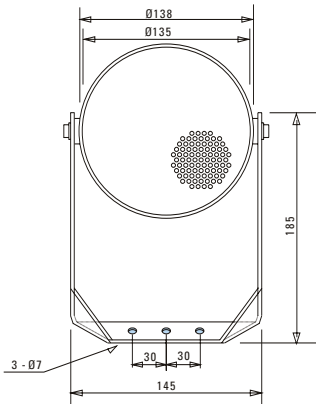
➤ CAD10/TC is BS5839 Part 8 voice alarm compliant

EASE, CATT, ULYSSES and Architectural specifications are supplied on the disc inserted at the back of this folder
Manufacturer reserves the right to alter specifications without notice – March 2007

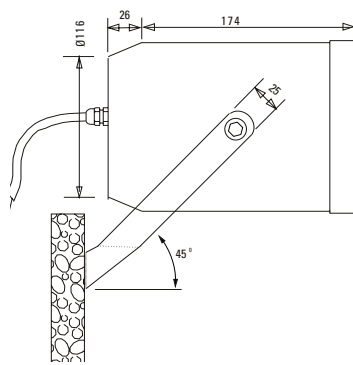
CAD 10/T CAD 10/TC

MOULDED SOUND PROJECTORS

front view unit: mm

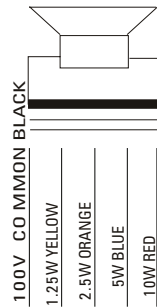


side view unit: mm

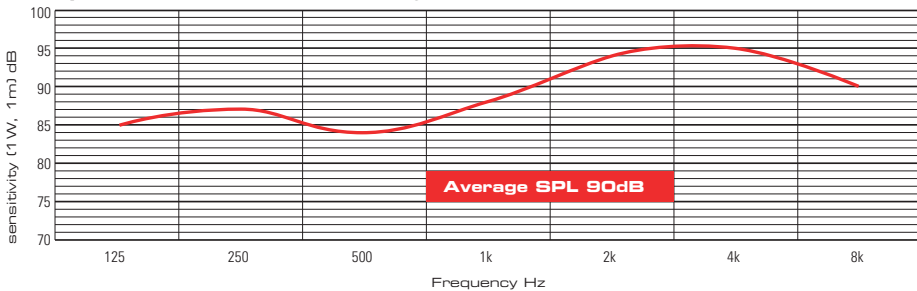


circuit diagram

CAD 10/T



speech octave band sensitivity



Effective Frequency Range ● CAD 10/T CAD 10/TC 120Hz - 18,000Hz



Penton UK Ltd

Unit 2 Teville Industrials | Dominion Way | Worthing | West Sussex | BN14 8NW
T: +44 (0)1903 215315 | F: +44(0)1903 215415 | E: SALES@PENTONUK.CO.UK

www.penton.org