

ROUND METAL CEILING LOUDSPEAKERS



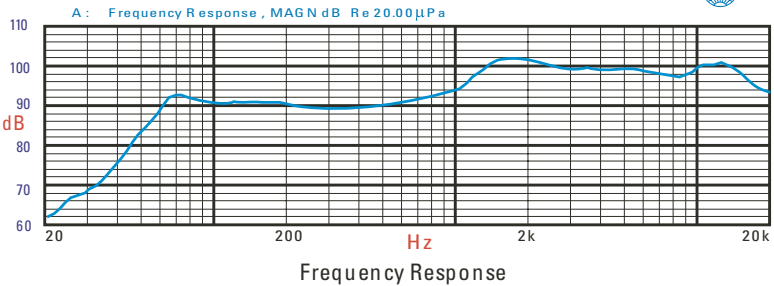
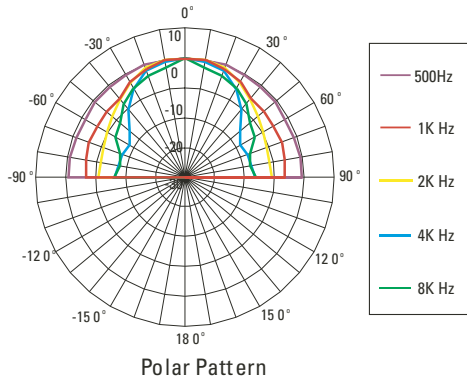
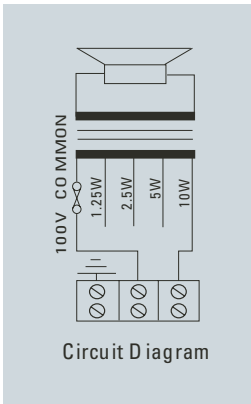
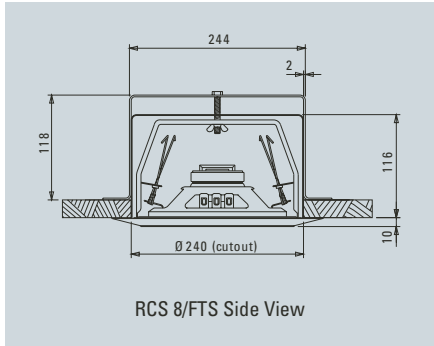
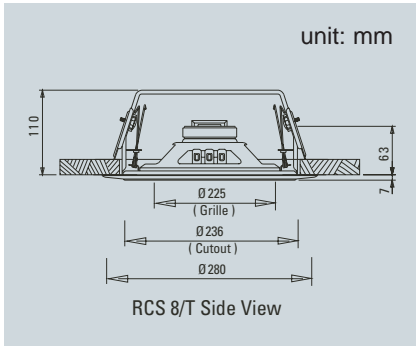
• RCS8/T • RCS8/FTS

Technical Specifications

Rated power, Watts	10
Tappings 100 volt line, Watts	10/5/2.5/1.25
Transformer Impedance, Ohms, 100V	1k/2k/4k/8k
Tappings 70.7 volt line, Watts	5/2.5/1.25/0.625
Driver impedance, Ohms	8
Effective frequency range, Hz (BS6840)	70 – 17,000
S.P.L. @ 1m, 1 watt, dB, Test Signal Bandwidth 100Hz-10 kHz	94
S.P.L. @ Full power Octave Bandwidth, dB	104
Acoustic Power (dB-PWL@1 watt) 1 k/2kHz, dB	89 / 90
Dispersion at 1k/2k Hz, Degrees	RCS8/T: 176/ 120 RCS8/FTS: 176/120
Directivity Axial Q factor, 1 k/2kHz	RCS8/T: 2.7/6.7 RCS8/FTS: 3.6/7.8
Dimensions, diameter, mm	Ø280
Net weight, Kgs	RCS8/T: 1.30, RCS8/FTS: 2.5
Colour/Finish	White RAL9016
Material	Steel
Mounting	Torsion springs
Cut-out, mm	RCS8/T: Ø236 RCS8/FTS: Ø240

RCS8/FTS is BS5839 Part 8 compliant

RCS8/T RCS8/FTS



Penton UK Ltd

Unit 2, Teville Industrials, Dominion Way, Worthing, West Sussex BN14 8NW England

Tel:+44 (0)1903 215315 Fax:+44 (0)1903 215415

E-Mail:sales@pentonuk.co.uk Website:www.penton.org