

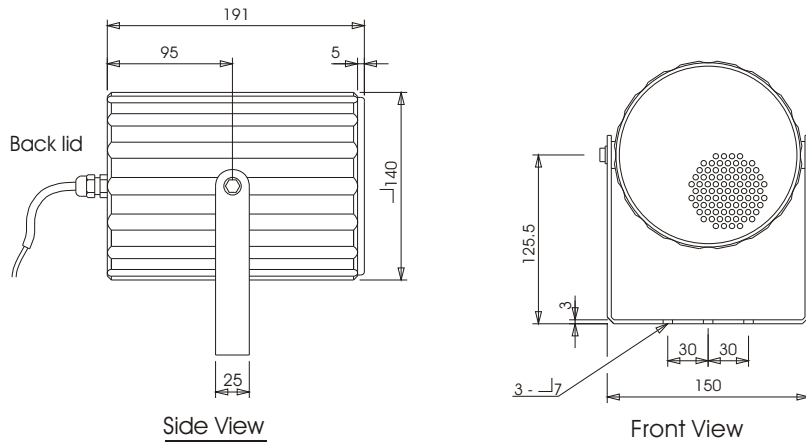


METAL SOUND PROJECTORS

CELL10/T

CELL10/TC

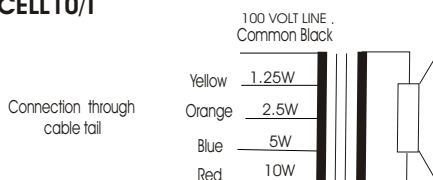
Installation instructions



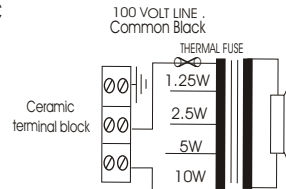
1. Drill the mounting location holes for the loudspeaker inline with the "U" bracket (2 holes 30 millimetres apart) in the surface where the loudspeaker is going to be located. It is not necessary to use the central mounting hole in the bracket unless the loudspeaker is used with a pole mount clamp.

2. There are two versions of CELL'S one is for general public address and the "C" version for voice alarm to comply with BS5839 part 8. The connection for the CELL10/T are as follows:

CELL10/T



CELL10/TC



For the CELL10/TC remove the back lid of the unit (cable gland ent) and connect fire retardant cable into the ceramic terminal block through the cable gland provided.

Important Note

Please ensure that the input cable is connected to the selected terminal inside the loudspeaker chamber and to no other connection as the unused transformer tapping must always be isolated from one another.

Example: CELL10/TC use the Black wire (common) and the red wire for 10 watts tapping.

Use the Black wire (common) and the Blue for 5 watts, etc.

2. Secure the cable gland tight, ensuring that all the rubber washer are in place for the fixing screws. You will observe that around the inner section of the chamber where the back lid was removed a large rubber washer, please make sure that this is in-place when re-locating.

3. Before putting 100 volt line through the units it is advisable to check the impedance of the circuit.

4. On checking the line impedance the speaker is in an operational mode.