

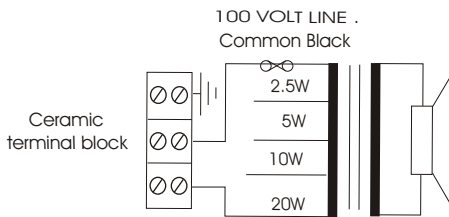
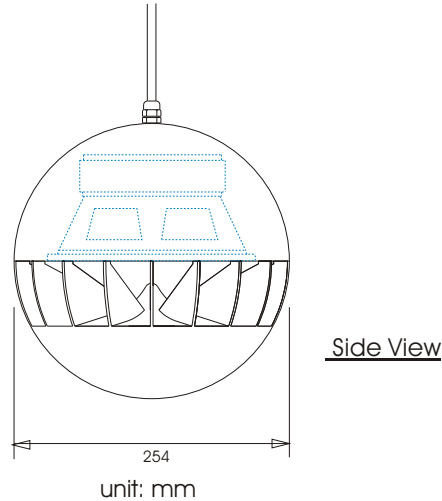


# ABS SPHERICAL LOUDSPEAKERS

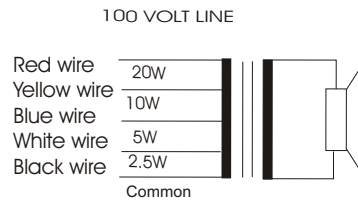
GB20/T

GB20/TC

## Installation instructions



GB20/TC Circuit diagram



Plus braid used as anchoring point  
GB20/T Circuit diagram

1. You will observe that this loudspeaker is pendant hung, with the 5 strand braided cable (GB20/T) being used for hanging as well as selecting the volume required (watts).

The GB20/TC version used for voice alarm systems is cabled with fire retardant cable as specified by you our customer and as such the colours can not be determined until the cable type has been determined.

The cable colour identification will be marked on the loudspeaker when known.

2. To select the volume a tapping label can be found at the top of the loudspeaker, matching cable colours to watts. One can select from 20 watts - 2.25 watts. To change the tapping, select the appropriate colour (black is always common) and connect accordingly.

3. The unit is secured to the ceiling/eaves into a junction box (not provided) with the braid of the cable being used as an anchoring point. It is important that the anchoring is adhered too at all times as not to do would be dangerous.