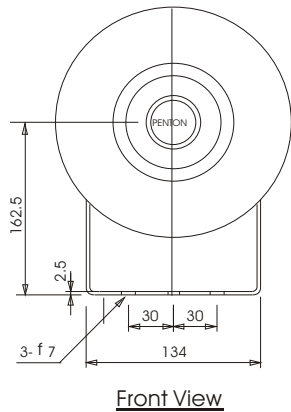




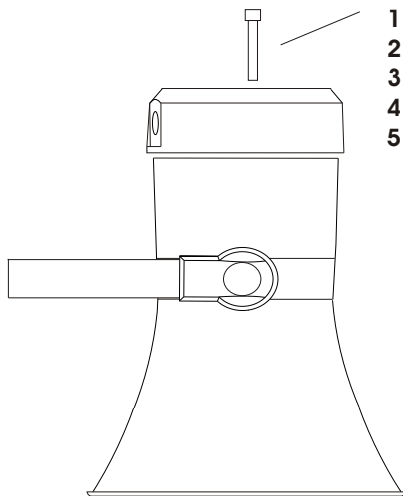
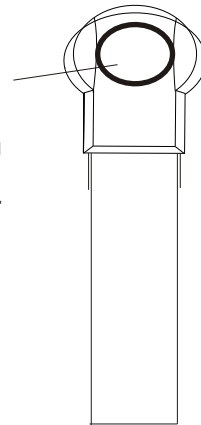
WEATHERPROOF METAL HORN LOUDSPEAKER

MHS20/TC

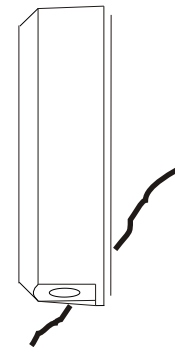
Installation instructions



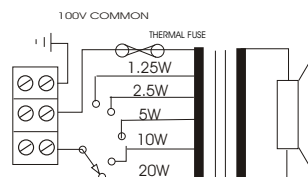
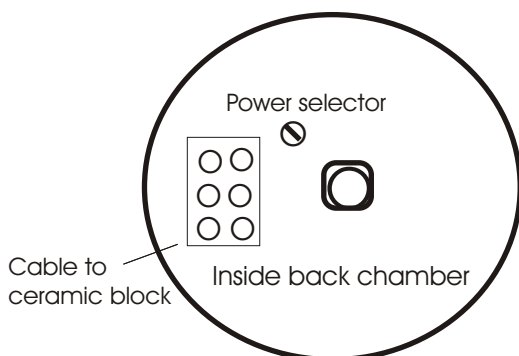
1. Remove bolt cover cap
2. Loosen bolt
3. Adjust to required angle in a Ratchet formation
4. Tighten bolt & replace cover



1. Remove fixing bolt
2. Gland cable through back lid.
3. Terminate to ceramic block
4. Secure gland(s)
5. Replace Lid ensuring gasket is fitted correctly.



Top view of speaker for termination to ceramic block and 100volt line power selector switch.



MHS20/TC Circuit Diagram