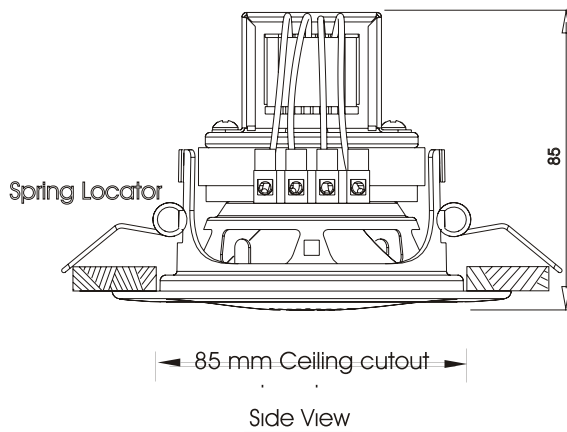




ROUND METAL CEILING LOUDSPEAKER RCS3/T

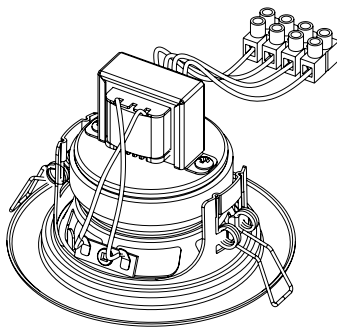
Installation instructions



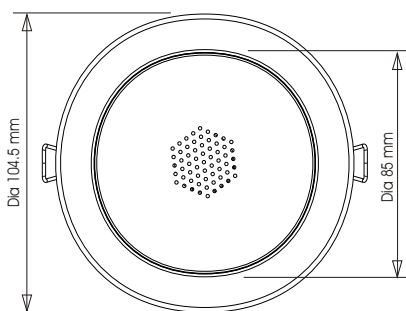
1/ Cut an 85 mm diameter hole in the ceiling

2/ Selecting the required power tap (watts) by connecting the field cable into the Terminal block as described in section 4.

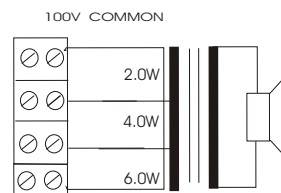
3/ Fit the speaker into the ceiling cutout by holding the mounting springs in an upwards position. Guid them through the the cutout and release. The speaker will then locate automatically.



4/ You will find on the top of the ceiling loudspeaker a 100 volt line transformer complete with flying leads and terminal Block, this is were you connect your 100v line speaker cable. Connect the negative speaker cable to the black wire (common) on the terminal block. Then connect the positive speaker cable to one of the other free terminals, selecting your chosen tapping as per the circuit diagram detailed below.



Front View



Circuit Diagram