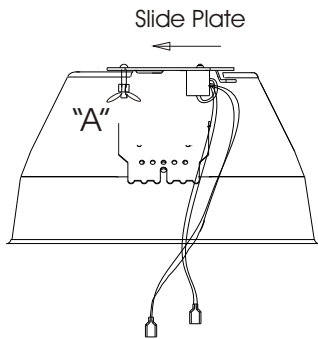




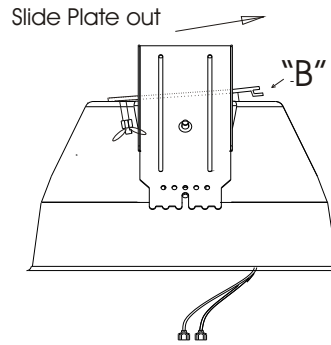
ROUND METAL CEILING LOUDSPEAKER

RCS5/FTS

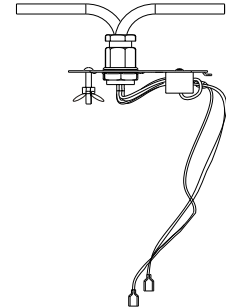
Installation instructions



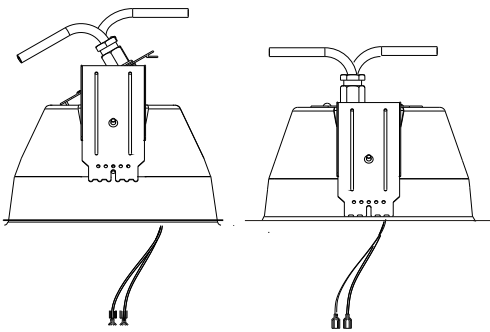
1. Loosen wingnut "A"
(you will NOT have to remove the wing nut completely)
2. If the wingnut is on e.g. your left, slide the whole plate to the left.



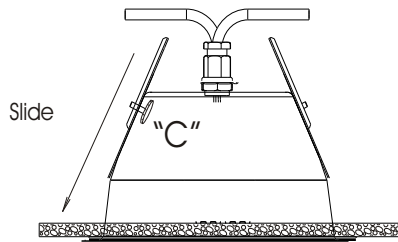
3. This will disengage the retaining clip "B"
4. Lift the plate slightly @ "B" and slide the plate right until clear of the dome.



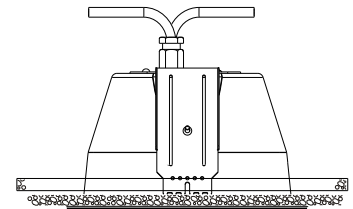
5. Wire plate



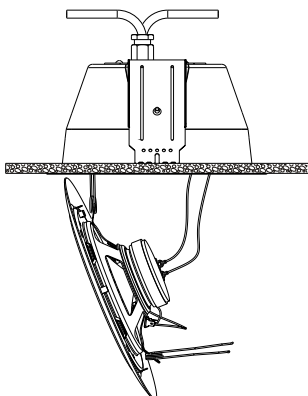
6. Re-fit plate to dome and tighten wingnut



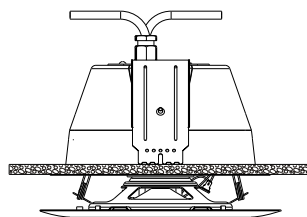
- Fitting the dome into a ceiling
7. Loosen the retaining knob for slider "C"
Push sliders to the top of the dome and insert dome into pre-cut hole.



8. Once dome has been inserted pull the slider knob down until it clamps to the ceiling. Tighten the retaining knobs to secure the dome.

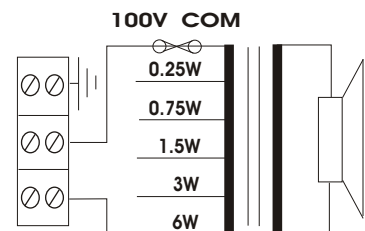


9. Fitting the speaker.
Compress "V" spring and fit into the retaining ear within the dome.
Connect leads to the speaker transformer.



10. Fit second "V" clip into second retaining ear and gently push the speaker up into the dome (do not push the central perforated grille area)
the speaker will self locate into the dome.

Circuit Diagram



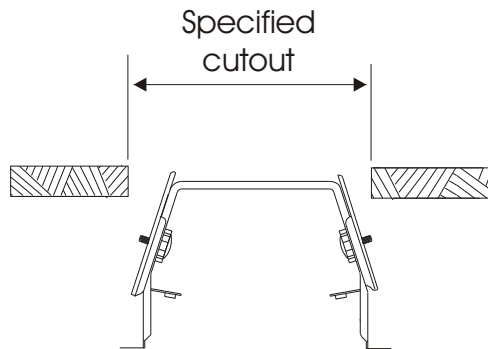
**Hole cutout
RCS5FTS 164mm**



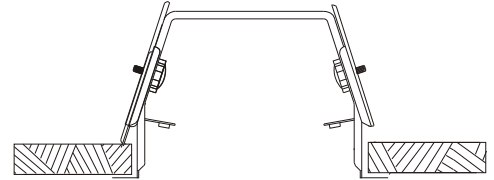
ROUND METAL CEILING LOUDSPEAKER

RCS5/T

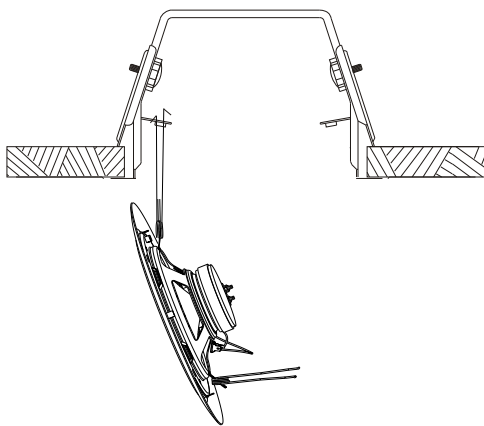
Installation instructions



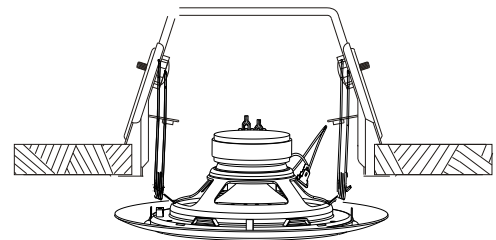
1. Cut the required hole for the speaker



2. Loosen the retaining sliders and push to the top of the bracket. Once the bracket is through the hole pull down the sliders and tighten the retaining nut clamping the ceiling



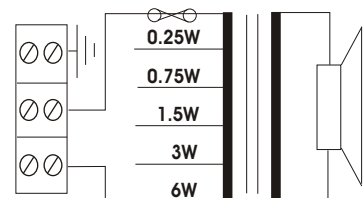
3. Fitting the speaker.
Compress "V" spring and fit into the retaining ear within the bracket.
Connect cable to terminal block and select wattage required.



4. Fit second "V" clip into second retaining ears and gently push the speaker up into the bracket (do not push the central perforated grille area) the speaker will self locate into the bracket.

Circuit Diagram

100V COM.



**Hole cutout
RCS5/T 160mm**